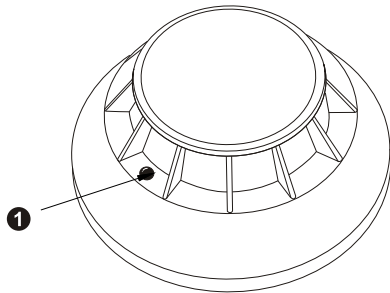


HEAT DETECTOR

GENERAL VIEW

1 LED



This product is a heat detector which runs by inducing ambient temperature. Adopted advanced SMT processing technique and special structure design, it has the functions of dustproof, anti-electromagnetic interference and avoiding false alarm, the stability of the product is assured from the above. It's suitable for detecting temperature in houses, stores, hotels, and warehouses, etc.

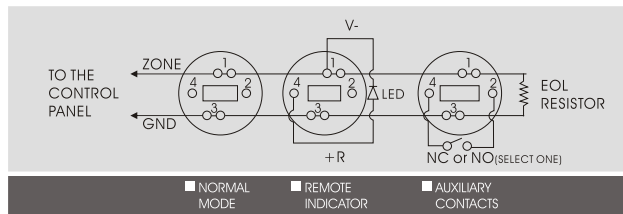
TECHNICAL SPECIFICATION

| | | | |
|-----------------------|-----------------|---------------------|---------------------------|
| Input voltage | DC 12-32V | Installation Method | Ceiling mounted |
| Static Current | ≤50 μA | Detecting Area | 60m ² |
| Alarm Current | ≤50mA | LED Frequency | once per 10 seconds |
| Operating Temperature | -10℃~+85℃ | Output Pattern | Network output by current |
| Alarm Temperature | 57℃ | Sensor Type | High Density Heat Sensor |
| Alarm Reset | Power off reset | | |

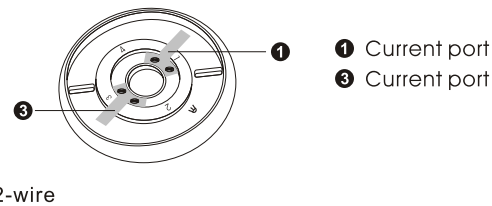
INSTALLATION

1. Please connect the wires correctly as required.

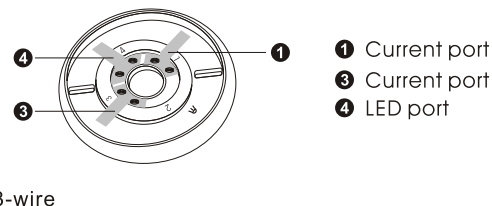
BASE WIRING INFORMATION



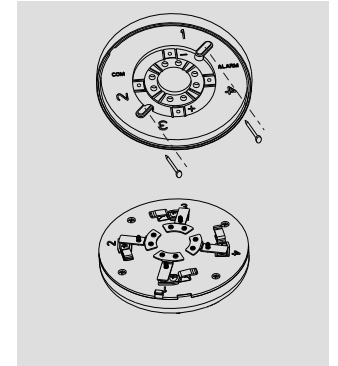
NORMAL MODE



REMOTE INDICATOR

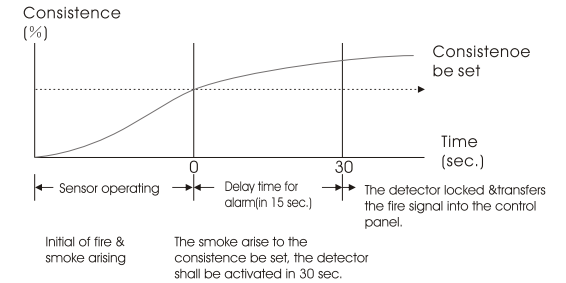


2. Choose a suitable position to install the detector, normally on the ceiling of the center detecting area, fix the bracket on the installation point with screws, then set the detector on it, rotate and check whether it is firm.



TESTING

Detector operating chart



1. Please connect the wires correctly according to the instruction or product marking.
2. Connect power supply, the detector gets into normal detecting state, then the LED flashes once per 10 seconds.
3. Manual test: When using the heat source over 58℃ to close the detector, the detector gets into alarm state, the LED lights continuously, while removing the magnet, cut the power off and return, the detector will resume into normal detecting state.

NOTICE

1. The product should not be installed in the extreme hot or cold, high wind speed surroundings.
2. The detector needs to be tested once every month.
3. The product can prevent and reduce the disaster caused by fire, but it can not guarantee absolute safety. Besides using this product correctly, the user is advised to take all necessary precautions for safety and enhance safety consciousness in daily life.