

Smoke Alarm User's Manual

PLEASE READ AND SAVE THIS MANUAL

SPECIFICATION:

- * Power supplied by DC9V battery
- * Photoelectric sensor
- * Red LED indicate alarm
- * Unique "battery missing" lockout
- * Low battery alarm
- * High sensitivity
- * Built in sounder to give a minimum sound output of 85dB at 3m
- * Senses smoke using the light scatter principle-quick response to visible Smoldering smoke, test button simulates smoke – use to check performance at least monthly.
- * Standby current $\leq 10\mu\text{A}$, alarm current $\leq 30\text{mA}$.
- * 3 year guarantee (limited)

IMPORTANT SAFETY INFORMATION

1. The test button accurately tests all smoke alarm functions. Do not use any other test method. Test smoke alarm weekly to ensure proper operation.
2. DO NOT remove or disconnect battery. This will take out your protection. Open windows or fan the air around smoke alarm to silence it.
3. This smoke alarm should be installed only by a licensed, qualified electrician. Observe and follow all local and national electrical and building codes for installation.
4. This smoke alarm is designed to be used inside a single family only. In multifamily buildings, each individual living unit should have its own smoke alarms. Do not install in non-residential buildings. And this smoke alarm is not a substitute for a complete alarm system.
5. Install a smoke alarm in every room and on every level of the home. Smoke may not reach the smoke alarm for many reasons. For example, if a fire starts in a remote part of the home, on another level, in a chimney, wall, roof, or on the other side of a closed door, smoke may not reach the smoke alarm in time to alert household members. A smoke alarm will not promptly detect a fire except in the area or room in which it is installed.
6. Smoke alarm may not alert every household member every time. The alarm horn is loud in order to alert individuals to a potential danger. However, there may be some circumstances where a household member may not hear the alarm (i. e. outdoor or indoor noise, sound sleepers, drug or alcohol usage, the hard of hearing, etc.). If you suspect that this smoke alarm may not alert a household member, install and maintain specialty smoke alarms. Household member must hear the alarm's warning sound and quickly respond to it to reduce the risk of damage, injury, or death that may result from fire, If a household member is hard of hearing, install special smoke alarms with lights or vibrating devices to alert occupants.
7. Smoke alarms can only sound their alarms when they detect smoke or detect combustion

particles in the air. They do not sense heat, flame, or gas. This smoke alarm is designed to give audible warning of a developing fire. However, many fires are fast - burning, explosive, or intentional, and others are caused by carelessness or safety hazards. In this circs, Smoke may not make the unit alarm QUICKLY ENOUGH to ensure safe escape.

8. Smoke alarms have limitations. This smoke alarm is not foolproof and is not warranted to protect lives or property from fire. Smoke alarms are not a substitute for insurance. Homeowners and renters should insure their lives and property. In addition, it is possible for the smoke alarm to fail at any time. For this reason, you must test the smoke alarm weekly and replace every 3 years.

FOR BEST PROTECTION, WE RECOMMEND YOU TO INSTALL A SMOKE ALARM IN EVERY ROOM

- * Typical single storey dwelling with recommended
- * Install a smoke alarm on the ceiling or wall inside each bedroom and in the hallway outside each separate sleeping area. If a bedroom area hallway is more than 30 feet long, install a smoke alarm at each end. If there is a basement: install a smoke alarm on the basement ceiling at the bottom of the stairwell.
- * Typical multi-storey dwelling with recommended protection.
- * Install a smoke alarm on the ceiling of wall inside each bedroom and in the hallway outside each separate sleeping area. If a bedroom area hallway is more than 30 feet long, install a smoke alarm at each end install a smoke alarm at the top of a first – to- second floor stairwell.

BATTERY CONNECTIONS:

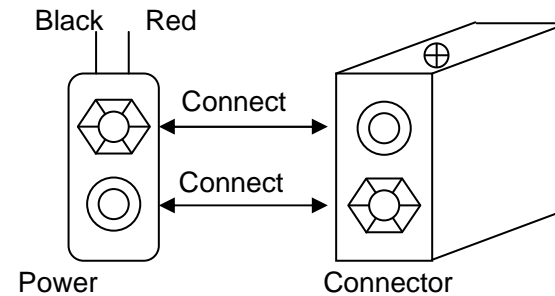


Diagram 1

REPLACING BATTERY:

1: battery section:

Battery rating voltage: DC 9V

Package: 6F22

Size: 26mm*17mm*49mm

Recommend battery type:

G6F22 (GOLDEN POWER)

Electro-Chemical system: Carbon Zinc

Battery Jacket: Metal

- 2: Turn the alarm body counterclockwise and take out alarm body.

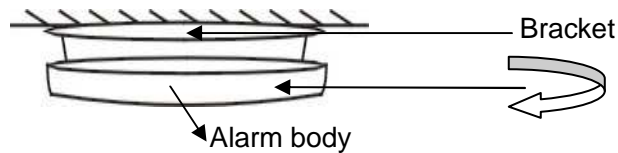


Diagram 2

- 3: connect power line, according to "BATTERY CONNECTIONS" (Diagram 1)
4: Fix the battery into box, fit alarm body on bracket and turn the alarm body clockwise

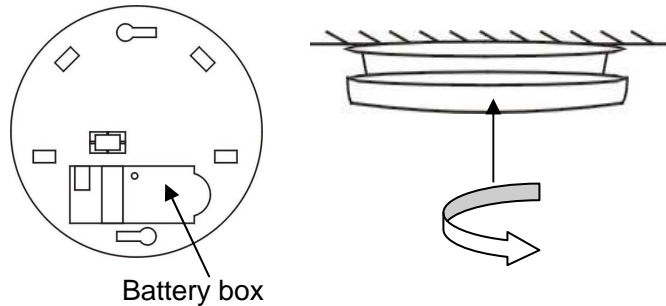


Diagram 3

- 5: Test smoke alarm using push-to-test button. The horn pattern is 3 short beeps followed by a 2 second pause and then repeats. if there's no sound output, it means that the smoke alarm is bad or the installing operation is wrong, and you should gain the correct method of disposal through reading "TROUBLESHOOTING",

DO NOT INSTALL SMOKE ALARMS

1. Near appliances or areas where normal combustion regularly occurs (kitchens, near furnaces, hot water heaters). Use specialized smoke alarm with unwanted alarm control for this areas.
2. In areas with high humidity, like bathrooms or areas near dishwashers or washing machines. Install at least 10 feet away from these areas.
3. Near air returns or heating and cooling supply vents. Install at least 3 feet away from these areas. The air could blow smoke away from the detector, interrupting its alarm.
4. In rooms where temperatures may fall below 40°F or rise above 100°F.
5. In extremely dusty, dirty, or insect – infested areas influence particles interfere with smoke alarm operation.

TESTING THE SMOKE ALARM

Test each smoke alarm to be sure it is installed correctly and operating properly.

1. The push – to – test button accurately tests functions. Do not use an open flame to test this smoke alarm. You may ignite and damage the smoke alarm or your home.
2. Test smoke alarms weekly and upon returning from vacation or when no one has been in the household for several days.
3. Stand at arm's length from the smoke alarm when testing.
Test all smoke alarms weekly by doing the following.
4. Firmly depress the push- to-test button for at least 5 seconds. The smoke alarm will sound 3 short beeps followed by a 2-second pause and then repeats. The alarm may sounds for up to a few of seconds after releasing the push- to- test button.

DANGER: If alarm horn sounds, and smoke alarm is not being tested, the smoke alarm is sensing smoke, THE SOUND OF THE ALARM HORN REQUIRES YOUR IMMEDIATE ATTENTION AND ACTION.

MAINTENANCE AND CLEANING

* In addition to weekly testing, this smoke alarm requires yearly battery replacement and periodic cleaning to remove dust, dirt, and debris.

* You'd batter use good battery to make the alarm work long, some batteries can use more than 1 year.

1. Turn smoke alarm counterclockwise to detach from mounting plate.
Gently pull down smoke alarm.
2. Remove battery from battery box. Disconnect and separate battery from battery connector.
3. Connect a fresh 9-volt battery to connector. The battery will fit only one way. Be sure battery connector is securely attached to battery into battery terminals.

4. Place battery into battery box.
5. Re-attach smoke alarm to mounting plate by turning smoke alarm clockwise until it snaps into plate.
6. Test smoke alarm using push-to-test button.
7. The horn pattern should be 3 short beeps followed by a 2 second pause and then repeats. At one time, the LED flash. If there is no sound output, means that the smoke alarm is bad or the installing operation is wrong, and you will gain the correct method of disposal through reading "TROUBLESHOOTING"

CLEANING

Clean the smoke alarm at least once a month to remove dust, dirt, or debris. Always turn off power to smoke alarm before cleaning.

Using the soft brush or wand attachment to a vacuum cleaner, vacuum all sides and cover of smoke alarm. Be sure all the vents are free of debris.

If necessary, turn off power and use a damp cloth to clean smoke alarm cover.

IMPORTANT: Do not attempt to remove the cover of clean inside the smoke alarm. This will avoid warranty.

REPAIR

Caution: Do not attempt to repair this smoke alarm. Doing this will void your warranty.

If smoke alarm is not operating properly, and is still under warranty, return smoke alarm to our company. Pack it in a well-padded carton, shipping prepaid to our company.

If the smoke alarm is no longer under warranty, have a licensed electrician replace the smoke alarm immediately with a comparable good brand smoke alarm.

PRACTICE FIRE SAFETY

If the smoke alarm sounds its alarm horn, and you have not pushed the test button, it is warning of a dangerous situation. Your immediate response is necessary. To prepare for such occurrences, develop family escape plans, discuss them with all household members, and practice them regularly.

1. Expose everyone to the sound of a smoke alarm and explain what the sound means.
2. Determine two exits from each room and an escape route to the outside from each exit.
3. Teach all household members to touch the door and use an alternate exit when the door is hot, Instruct them not to open the door if the door is hot,
4. Teach household members to crawl along the floor to stay below dangerous smoke, fumes and gases.
5. Determine a safe meeting place for all members outside the building.

WHAT TO DO IN CASE OF FIRE

1. Do not be panic: stay calm.
2. Leave the building as quickly as possible. Touch doors to feel if they were hot before

opening them. Use an alternate exit if necessary. Crawl along the floor, and do not stop to collect anything.

3. Meet at a pre-arranged meeting place outside the building.
4. Call the fire department from outside the building.
5. Do not go back inside a burning building. Wait for the fire department to arrive.

These guidelines will assist you in the event of a fire, however, to reduce the chance that fires will start, practice fire safety rules and prevent hazardous situations.

TROUBLESHOOTING

DO NOT disconnect battery to quiet an unwanted alarm. This will remove your protection. Fan the air or open a window to remove smoke or dust.

PROBLEM	Method of disposal
Smoke alarm does not sound when tested. NOTE: Push test button for at least five seconds while testing!	1. Remove smoke alarm from mounting plate and: Check that connector plug is securely attached. 2. Check that battery is properly link to connector. 3. Clean smoke alarm.
Smoke alarm beeps about once a minute.	Replace battery. See battery replacement in the maintenance and cleaning section.
Smoke alarm sounds unwanted alarms intermittently or when residents are cooking, taking showers, etc.	1. Clean smoke alarm. See cleaning in the maintenance and cleaning section. 2. Hire an electrician to move smoke alarm to a new location. See SMOKE ALARM PLACEMENT
The alarm sounds different than it is used to. It starts and stops.	This alarm is operating correctly. This alarm features the internationally recognized horn signal for evacuation. The horn pattern is 3 short beeps followed by a 2 second pause and then repeats.

Before you install the alarm, read the instruction carefully

1. Where is best to install:

At first you need install one in the bedroom and route way, If you had several bedrooms, you'd better install one alarm in every room.

Install it in the stairway and in every floor.

Smoke, heat and burning things will spread horizontally after rising to the ceiling, so install one alarm on middle of the ceiling of ordinary structure house .let the alarm can induce every corner.

If alarm couldn't be installed in the middle of the ceiling for some reasons, the distance which the alarm away form the wall corner should be beyond 10cm.

If install alarm on the wall, it should be 10cm below the ceiling.(look at the diagram 4)

If the length of the room or the hall is beyond 30 feet, you need install several alarms in the hall.

When the wall or ceiling is slanting, the Alarm need to be installed 4 feet away from the highest wall or ceiling point in the room. (look at the diagram 5)

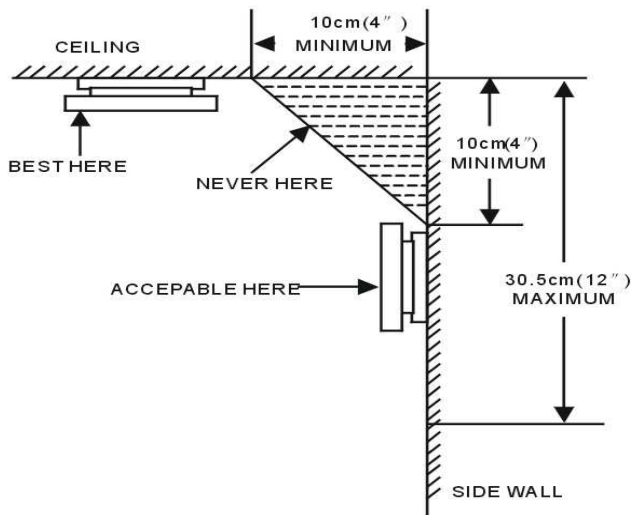


DIAGRAM 4

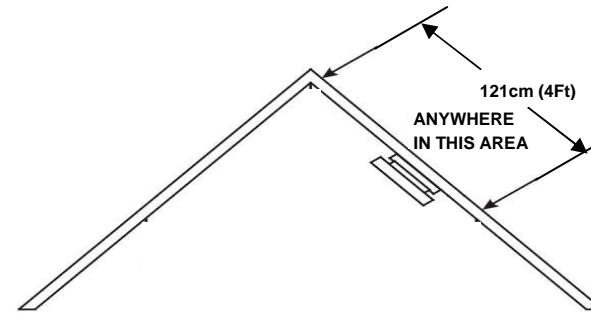


DIAGRAM 5

2. Installation

Turn the alarm body counterclockwise and take off the bottom plate.

Press the bottom plate on the installation, mark installation hole of the plate with pencil

Bore two installation holes on the sign with electric drill. Strike the dilatants into holes with hammer, screw the bots with gasket into the half of the dilatants, then hang the bottom plate on the screw, tighten the screw. (Look at the Diagram 6).

Fix the battery into battery box, button the alarm, turn the alarm body clockwise until there is sound of "beep". Please refer to Diagram 3.

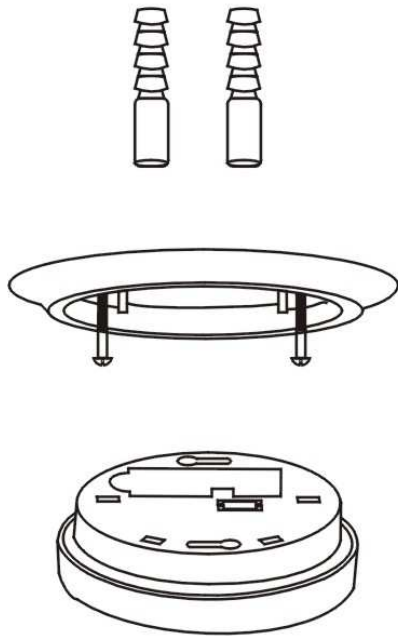


Diagram 6

WARNING:

To prevent injury, this apparatus must be securely attached to the floor or ceiling in accordance with the installation instructions.