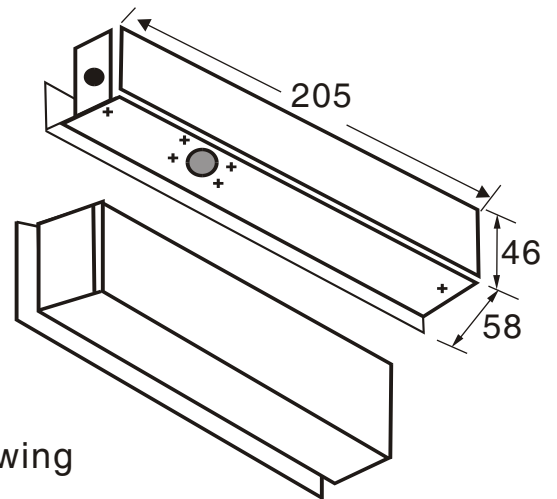


# Bracket for Electric Bolt

## Specification

- Suitable For Electric Bolt
- Face Plate: 205lx58wx46h(mm)
- Voltage: 12vdc
- Operation Current: 950ma
- Stand By Current: 100ma
- Glass Thickness: 10-15mm
- Feature: Fail-safe(nc)
- Finished For Shell: Stainless Steel, Wire Drawing
- Weight: 1.7kg

## Dimension



## Installation

